

NQube

Outdoor Compact Substation



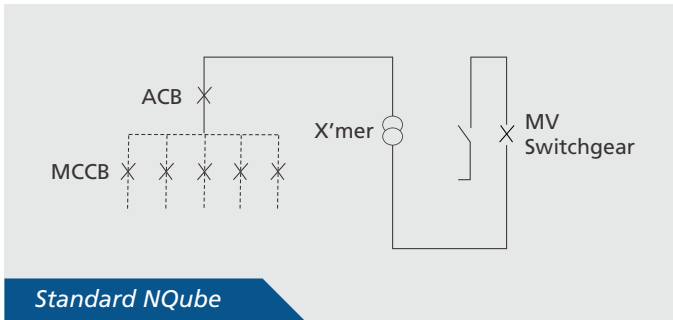
NQube is part of the wide range of product offerings from L&T Electrical & Automation. It is a compact MV/LV substation for outdoor application, designed in line with IEC 62271 - 202. It functions as a substation in secondary distribution networks. Incorporating E&A's standard electrical components, NQube provides maintenance-free operation throughout its life-span.

NQube is:

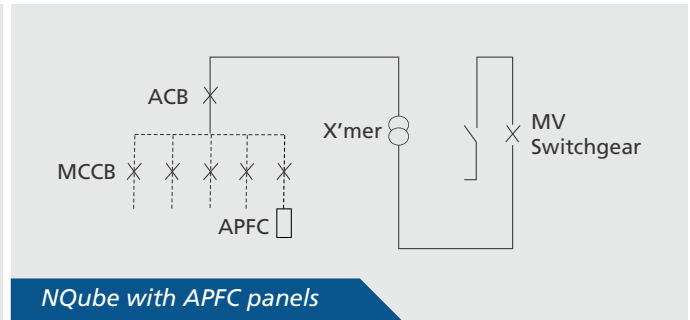
- Fully factory assembled & tested
- Modular & compartmentalized
- Reinforced with specially designed ventilation system
- Completely safe for operators
- Ready for installation & network connection
- SCADA compatible & ready to use in smart grid

L&T Electrical & Automation (E&A) designs, manufactures and markets a wide range of low voltage and medium voltage electrical systems, control and automation systems, electrical products and metering and protection systems.

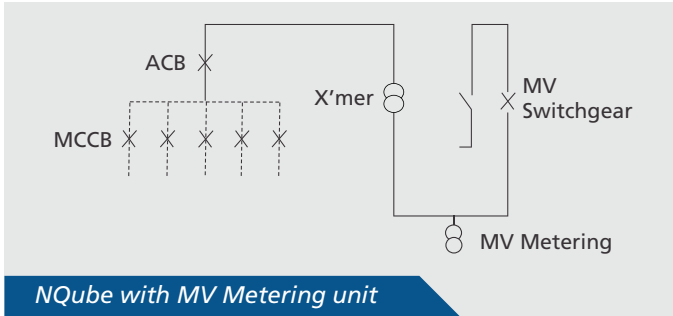




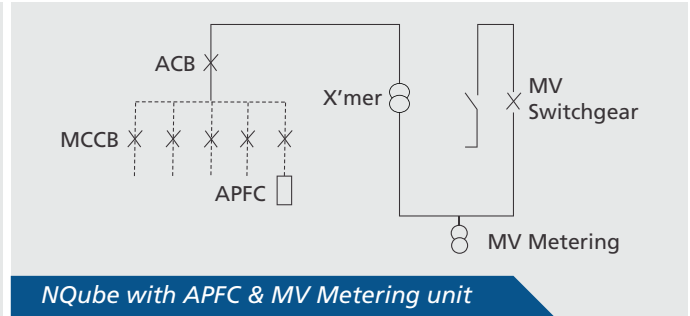
Standard NQube



NQube with APFC panels



NQube with MV Metering unit



NQube with APFC & MV Metering unit

three way RMU for ring applications are available

LV switchgear

- Rated up to 2000A, 440V
- Completely customizable
- With E&A's proven standard components i.e. Air Circuit Breakers, Moulded Case Circuit Breakers etc.
- Flexibility in arrangements & configurations
- Maximum 8 nos. of outgoing MCCB feeders with one incomer ACB feeder

Transformer

- Up to 1250kVA
- Choice of oil type & dry type transformers
- Hermetically sealed corrugated type oil transformer
- Minimal losses
- Off Load Tap Changing
- On load Tap Changing OLTC with RTCC and AVR
- Complaint to K/10 as per IEC 62271 - 202

MV switchgear

- E&A make 12kV, 630A, 21kA, RMU
- Robotic welding of gas tank ensures leakage free operation
- Internal arc fault tested for 21kA, 1S complying with AFLR IEC 62271 - 200
- Ample space for CT mounting
- Minimal maintenance & sealed for life
- No exposure to live parts

Product type	Up to 315kVA	990kVA	1250kVA
Rated voltage (MV / LV)	12kV / 440V		
Rated current (MV / LV)	630A / 500A	630A / 1600 A	630A / 2000A
Rated Power Frequency Withstand Voltage	28kV		
Rated Lightning Impulse withstand voltage	75kV		
Rated Short Time Current rating - MV / LV	21kA(3s) / 50kA(1s)		
Dimension (W x D x H) in mm*	2500 x 2100 x 2600	3400 x 2100 x 2600	3650 x 2100 x 2600
Ingress Protection (MV / Trans / LV)	IP 54 / IP23D / IP54		
Temperature Class	K10		

* Subject to change as per specification



L&T Electrical & Automation, Electrical Systems & Equipment - Head Office

L&T gate no. 5, L&T Business Park TC – II, Tower B – 7th floor, Saki-Vihar Road, Powai, Mumbai 400 072 Tel.: +91 22 6705 1748 Fax: +91 22 6705 1556 Email: ese-cmt@Lntebg.com Website: www.Lntebg.com

Sales Office – India

Bengaluru, Chennai, Hyderabad, Kolkata, Mumbai, New Delhi, Pune, Vadodara

Sales Office – International

Australia, Indonesia, Kuwait, Malaysia, Oman, Qatar, Saudi Arabia, South Afrika, South Korea, Turkey, UAE

The information contained herein is correct at the time of printing, but as products and manufacturing processes undergo continuous development, this information is subject to change without notice. and the company cannot be held liable for any alleged misinterpretation howsoever arising.